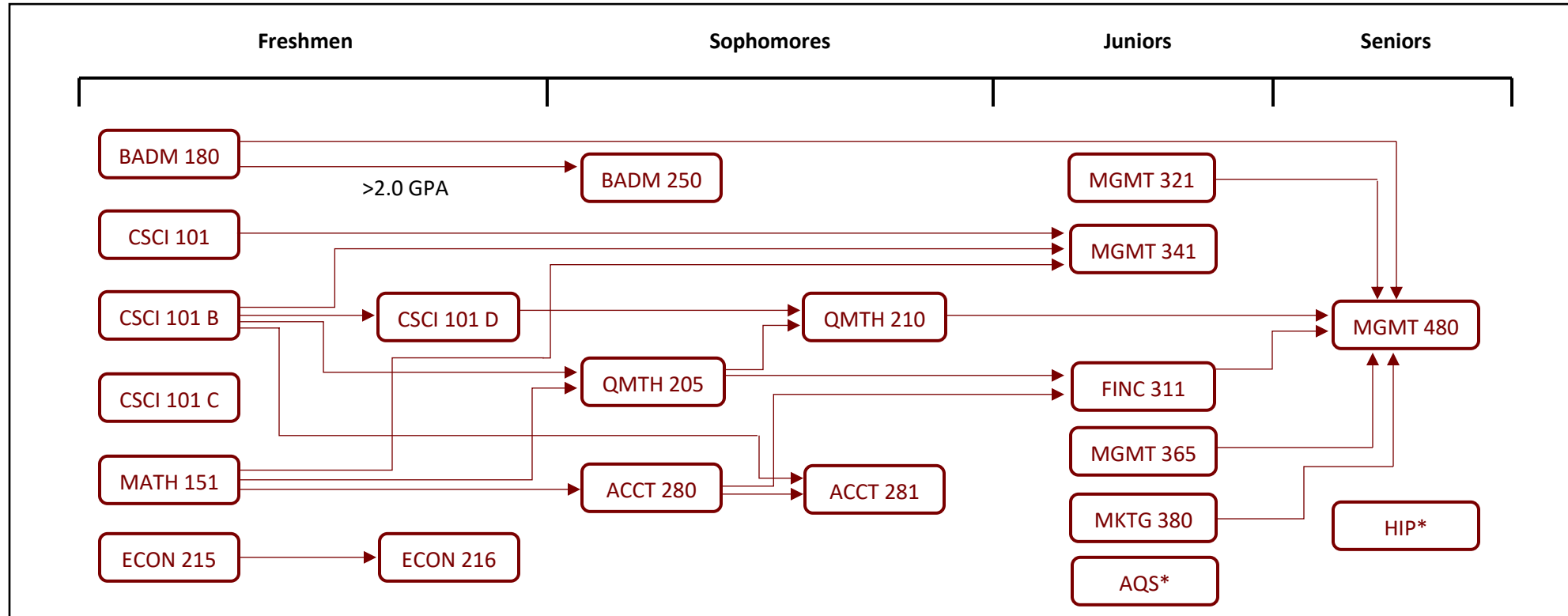


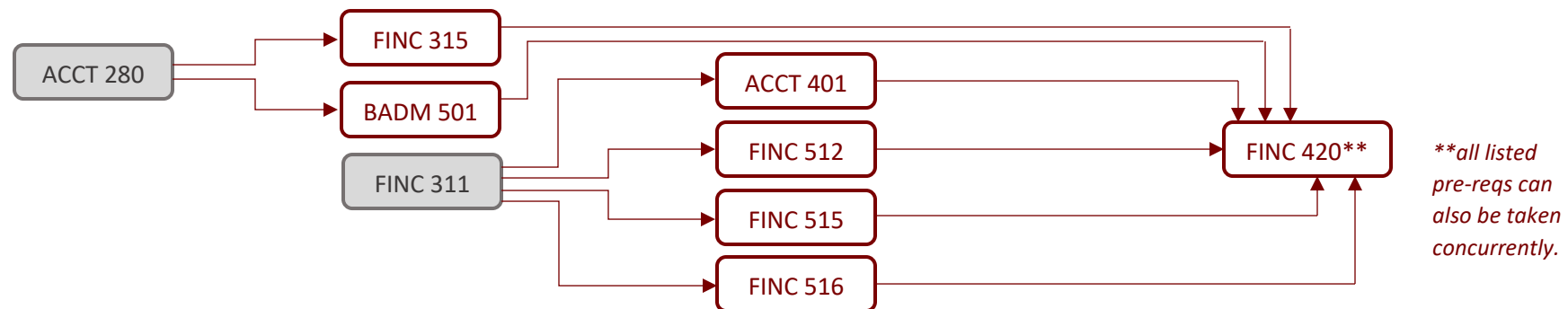
## Bachelor of Science in Business Administration

### **FINANCE – FINANCIAL PLANNING**

\*All Business-related courses above 299 require a C- in HMXP 102/HXCT 301, Junior Status, and a 2.0 GPA\*



#### **FINANCIAL PLANNING - CONCENTRATION COURSES**



*\*\*all listed pre-reqs can also be taken concurrently.*

*Any class marked with a \* means there are extra pre-requisites to make note of.*