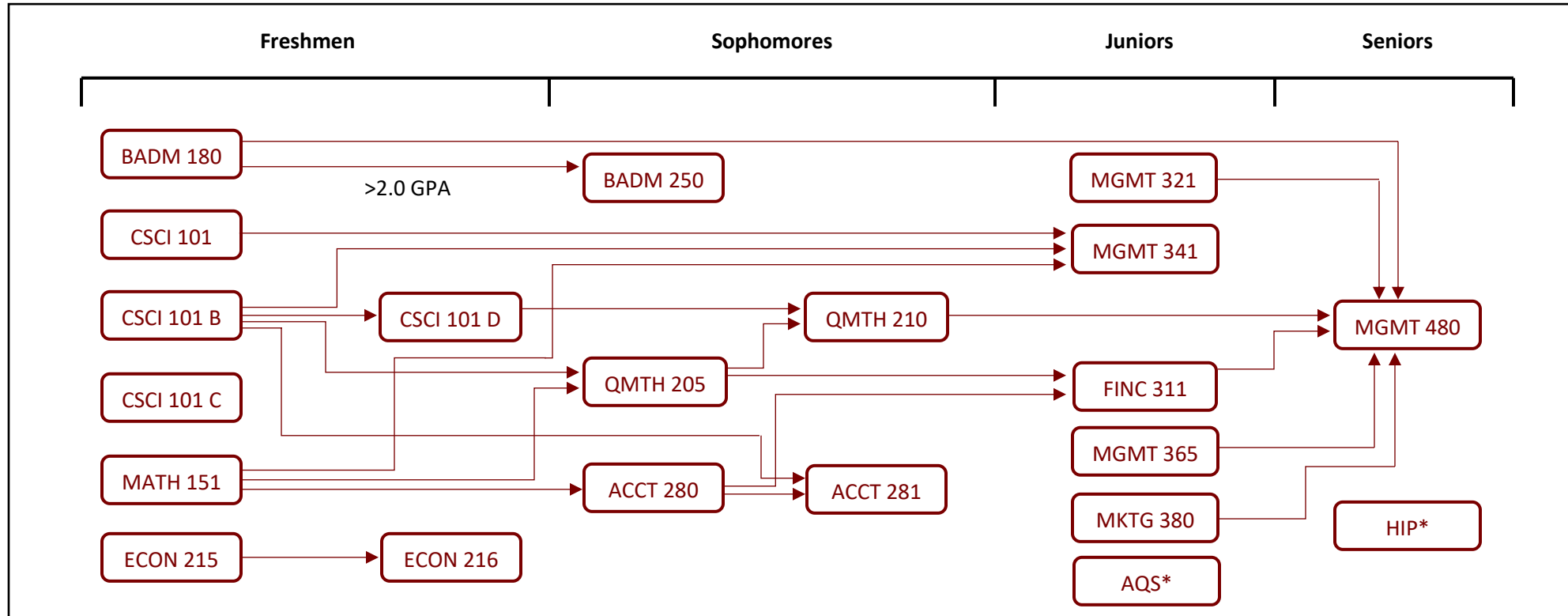
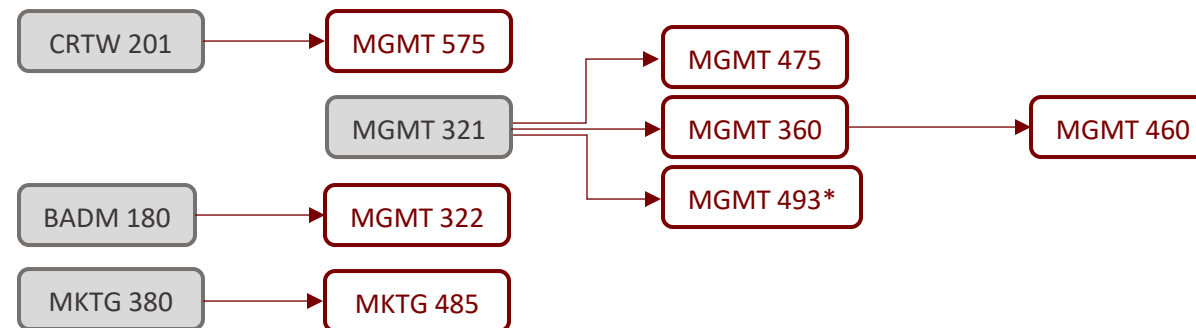


**Bachelor of Science in Business Administration
MANAGEMENT – HOTEL/HOSPITALITY TRACK**

All Business-related courses above 299 require a C- in HMXP 102/HXCT 301, Junior Status, and a 2.0 GPA



HOTEL/HOSPITALITY TRACK - CONCENTRATION COURSES



*Any class marked with a * means there are extra pre-requisites to make note of.*