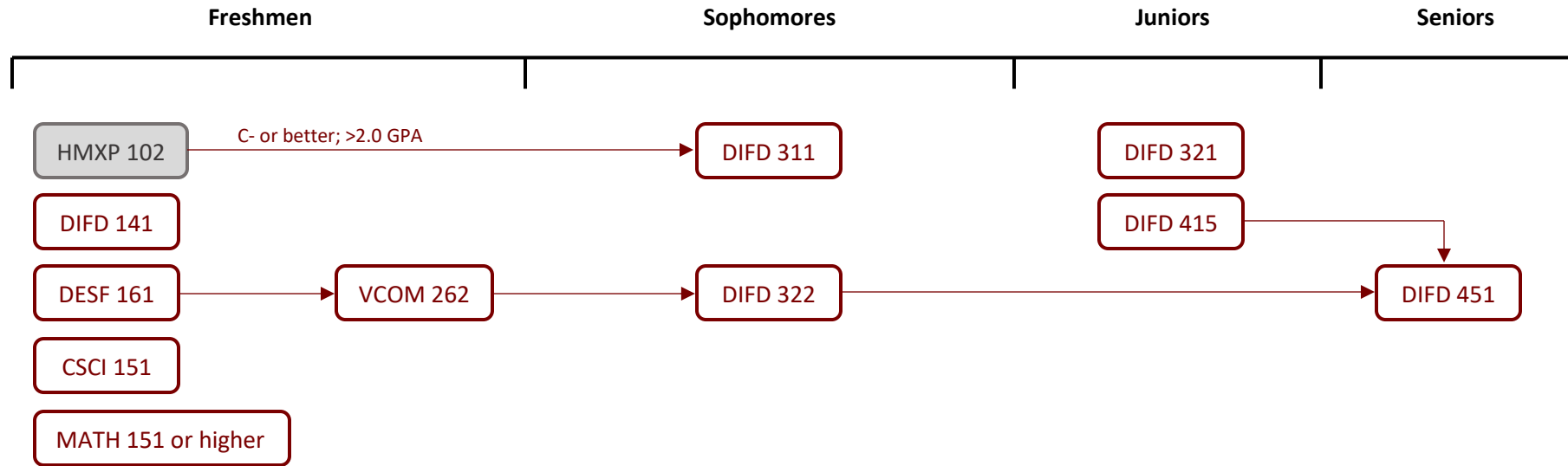


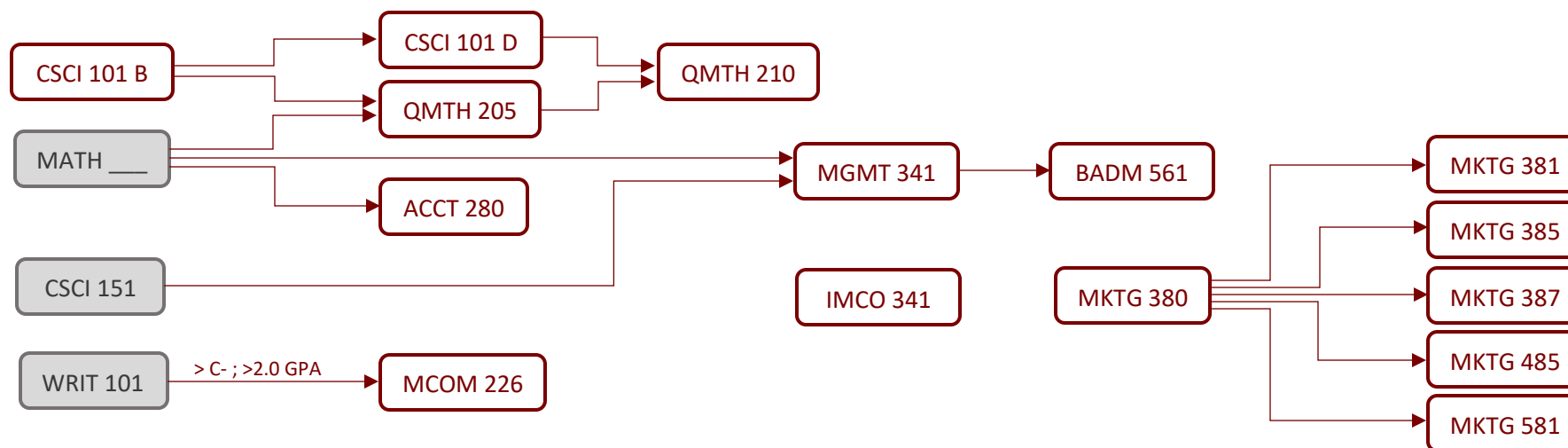
Bachelor of Science in Digital Information Design

DIGITAL COMMERCE

All Business-related courses above 299 require a C- in HMXP 102/HXCT 301, Junior Status, and a 2.0 GPA



DIGITAL COMMERCE – CONCENTRATION COURSES



*Any class marked with a * means there are extra pre-requisites to make note of.*