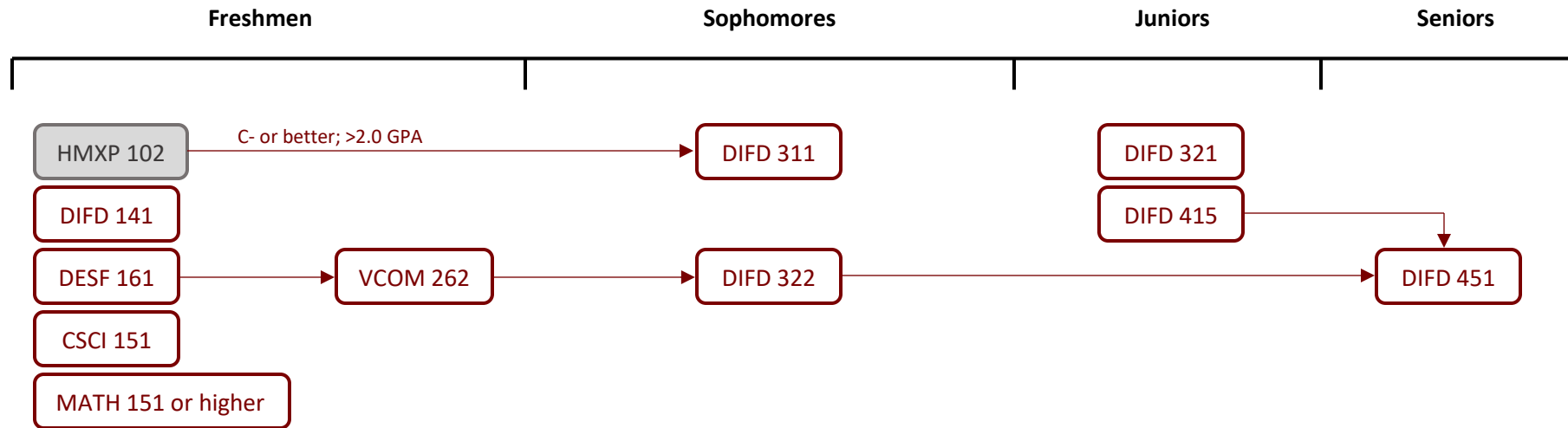


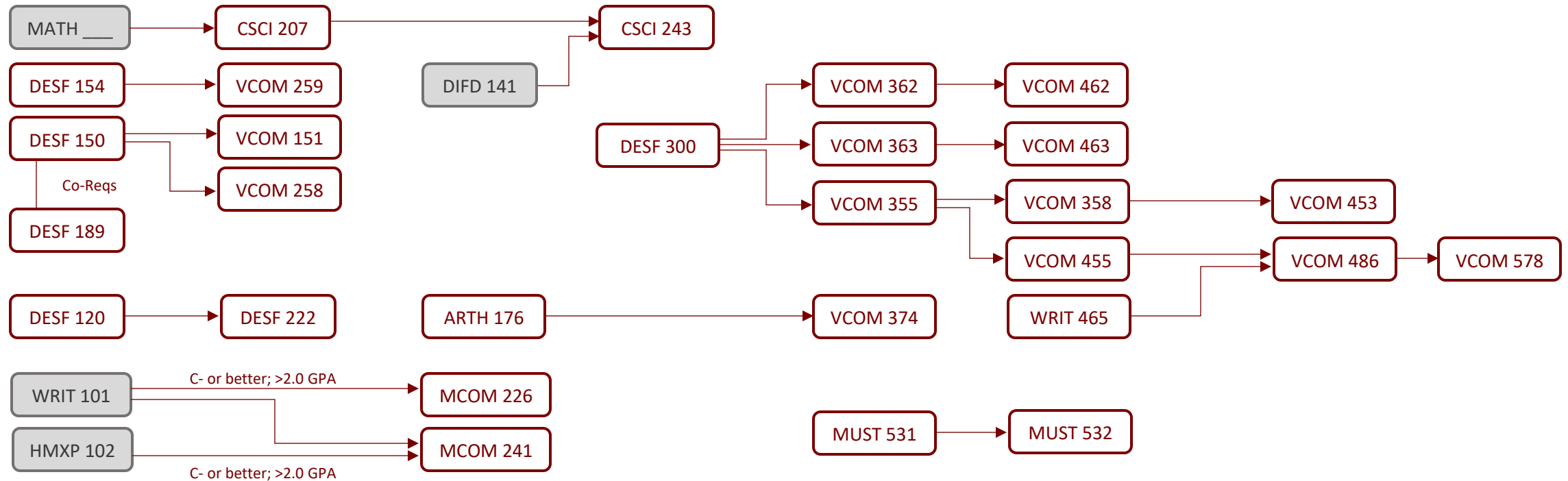
Bachelor of Science in Digital Information Design

INTERACTIVE MEDIA

All Business-related courses above 299 require a C- in HMXP 102/HXCT 301, Junior Status, and a 2.0 GPA



INTERACTIVE MEDIA – CONCENTRATION COURSES



**All VCOM Studios above 300 require successful completion of the Specialization Portfolio Review (DESF 300). **